

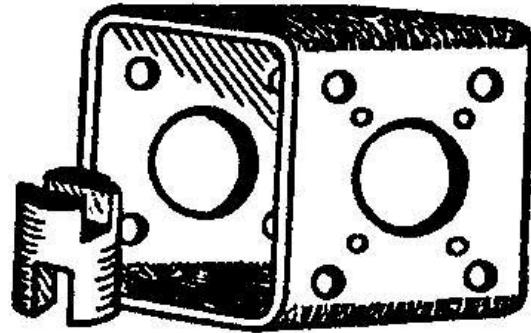
**Vincent R. Nitz, *President***  
**James M. Leppek, *Sales & Engineering***

**Phone:** (989) 883-9500  
**Fax:** (989) 883-2772  
**Website:** [www.nitzvalve.com](http://www.nitzvalve.com)  
**E-mail:** [nvh@nitzvalve.com](mailto:nvh@nitzvalve.com)

**Direct e-mail:**

[vrnitz@nitzvalve.com](mailto:vrnitz@nitzvalve.com)  
[jleppek@nitzvalve.com](mailto:jleppek@nitzvalve.com)  
[admin@nitzvalve.com](mailto:admin@nitzvalve.com)

**NVH**



**Nitz Valve Hardware, Inc.**

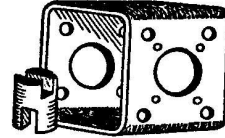
Leaders in Valve Automation Adaptation Hardware

**Price List January 1, 2024**

8610 Unionville Rd. (M-25) - P.O. Box 654 Sebewaing, MI 48759-0654

# NITZ VALVE HARDWARE, INC.

Vincent R. Nitz, *President*



## Memo

**TO:** CUSTOMERS

**FROM:** Vincent R. Nitz, President  
NITZ VALVE HARDWARE, INC.

**RE:** Price List - Effective January 1, 2024

Enclosed please find our new price book for actuator and accessory mounting kits. Our pricing has changed due to the rising costs of production and raw materials.

Please note our part number designation chart on page 9. This part number system has been incorporated for your tracking & reordering convenience. When reordering mounting kits, please include a complete application description, part number, and past PO# whenever possible. For an additional explanation of part number designations, please contact our sales staff.

We have also inserted valve dimension spec. sheets (pages 10 through 13) for your use should you have to specify the dimensions directly from a valve. Copy these sheets as needed and email for our use in the design process of your mounting kits. Or you can contact us via email for PDF copies of these sheets. The basic dimensions we will need for the design process are shown and required to be complete. Please note that you may need to incorporate two or more sheets to correctly describe the mounting of your valve. Please call our sales staff for any assistance in using these sheets.

We appreciate your business and we will continue working to provide the very best service and quality for your future requirements.

8610 Unionville Rd. - P.O. Box 654 • Sebewaing, MI • 48759-0654  
Telephone (989) 883-9500 • Fax (989) 883-2772

# PRICE LIST FOR MOUNTING KITS

<b>Product</b>	<b>Page</b>
BUTTERFLY VALVES.....	4
BALL & PLUG VALVES.....	5
STEM EXTENSION KITS.....	6
3-WAY LINKAGE KITS.....	7
LIMIT SWITCHES.....	8
POSITIONERS.....	8
PART NUMBER DESIGNATION CHART.....	9
DIMENSION SPEC. SHEETS.....	10-13
SAMPLE DRAWINGS.....	14-17
DECIMAL EQUIVELENT CHART.....	18

Effective January 1, 2024

Page 2

# PRICE LIST

## PRICE INCLUDES

---

- Carbon Steel Bracket/Coupling
  - Completely Deburred
  - Primed
  - Painted
  - Fasteners
- 

## OPTIONAL SERVICES (Additional Cost)

---

- Stainless Steel Material POA

- **EXPEDITED SERVICE  
PER KIT DESIGN**

3 working days . \$150.00

7 working days . \$100.00

**PLEASE CONTACT US FOR EXPEDITED  
SERVICE AVAILABILITY.**

**QUANTITY DISCOUNTS ARE NOT  
AVAILABLE ON EXPEDITED ORDERS**

---

Prices shown are net - Quantity 1 - 5 pieces

### Quantity Discounts per Design \*

6 - 20 list price less 5%

21 - 50 list price less 10%

51 - ? list price less 15%

**\* NO QUANTITY DISCOUNTS  
AVAILABLE ON EXPEDITED ORDERS**

### Terms

F.O.B - Sebewaing, Michigan

### NOTES:

1. Due to the ever rising costs of shipping, NITZ VALVE HARDWARE, INC. will only ship "Pre Pay & Add" shipments via standard ground service. All expedited shipping methods will need to ship collect on your preferred account.
2. NITZ VALVE HARDWARE, INC. is not responsible for incorrect dimensional data supplied by the customer.
3. Prices based on standard assemblies. NITZ VALVE HARDWARE, INC. reserves the right to add charges on oversized or "special" mounting configurations.
4. All mounting adapter kits not listed are "Price On Availability" (POA).

Effective January 1, 2024

# **MOUNTING KIT PRICE FOR ISO5211 MOUNT BUTTERFLY VALVES ONLY**

## **Standard carbon steel mounting kit pricing**

2" thru 6" valves  
(1 piece) - \$125.00 net each  
(2 to 5 pieces) - \$105.00 net each

8" thru 12" valves  
(1 piece) - \$165.00 net each  
(2 to 5 pieces) - \$145.00 net each

14" thru 20" valves  
(1 piece) - \$305.00 net each  
(2 to 5 pieces) - \$285.00 net each

### **NOTES:**

- **Listed pricing is for resilient seated butterfly valves only**
- Oversized actuators due to low air pressure are POA
- All high performance valves are POA
- 24" & larger valves are POA
- Damper valves are POA
- Actuators which have blank drive nuts will have additional machining charges.  
**Example:** Auma, Limitorque, RCEL, EIM, Rotork gears
- Actuators which have 2" or larger female drives or 1.5" or larger male drives are POA  
**Example:** Bettis "G" series, HD series, Remote Control / Rotork RC80/100
- Lock out option can be added into most mounting kits. Contact us for more info and cost
- Two part epoxy coating available in black color only. Contact us for more info and cost

Effective January 1, 2024

# MOUNTING KIT PRICE FOR ISO5211 MOUNT BALL & PLUG VALVES ONLY

## Standard carbon steel mounting kit pricing

1/4" thru 1" valves  
(1 piece) - \$118.00 net each  
(2 to 5 pieces) - \$98.00 net each

1-1/4" thru 2" valves  
(1 piece) - \$125.00 net each  
(2 to 5 pieces) - \$105.00 net each

2-1/2" thru 4" valves  
(1 piece) - \$195.00 net each  
(2 to 5 pieces) - \$175.00 net each

6" thru 8" valves  
(1 piece) - \$305.00 net each  
(2 to 5 pieces) - \$285.00 net each

### NOTES:

- Listed pricing is for 150# class ball or plug valves only
- Oversized actuators due to low air pressure are POA
- 300# class valves are POA
- 10" & larger valves are POA
- Actuators which have blank drive nuts will have additional machining charges.  
**Example:** Auma, Limitorque, RCEL, EIM, Rotork gears.
- Actuators which have 2" or larger female drives or 1.5" or larger male drives are POA  
**Example:** Bettis "G" series, HD series, Remote Control / Rotork RC80/100
- Lock out option can be added into most mounting kits. Contact us for more info and cost
- Two part epoxy coating available in black color only. Contact us for more info and cost

Effective January 1, 2024

## **ISO5211 MOUNT VALVE STEM EXTENSION KIT**

<b>VALVE SIZE</b>	<b>Up to 3' Length Face to Face</b>	<b>Price per Inch Over 3' Lengths</b>
2" - 6"	\$345.00	\$5.70
8" - 12"	\$400.00	\$6.60
14" - 20"	\$595.00	\$11.60
24" - 36"	POA	POA

**NOTES:**

- Industrial Butterfly Valves only; Hi-performance BFV - POA
- AWWA BFV's, Plug, and Ball Valves - POA
- See example drawing on page 14

## **GEAR BOX HANDWHEEL STEM EXTENSION KIT**

<b>STEM DIAMETER</b>	<b>Up to 3' Length Pin to Pin</b>	<b>Price per Inch Over 3' Lengths</b>
1/2" - 1"	\$178.00	\$2.60
LARGER DIAMETER	POA	POA

- See example drawing on page 17

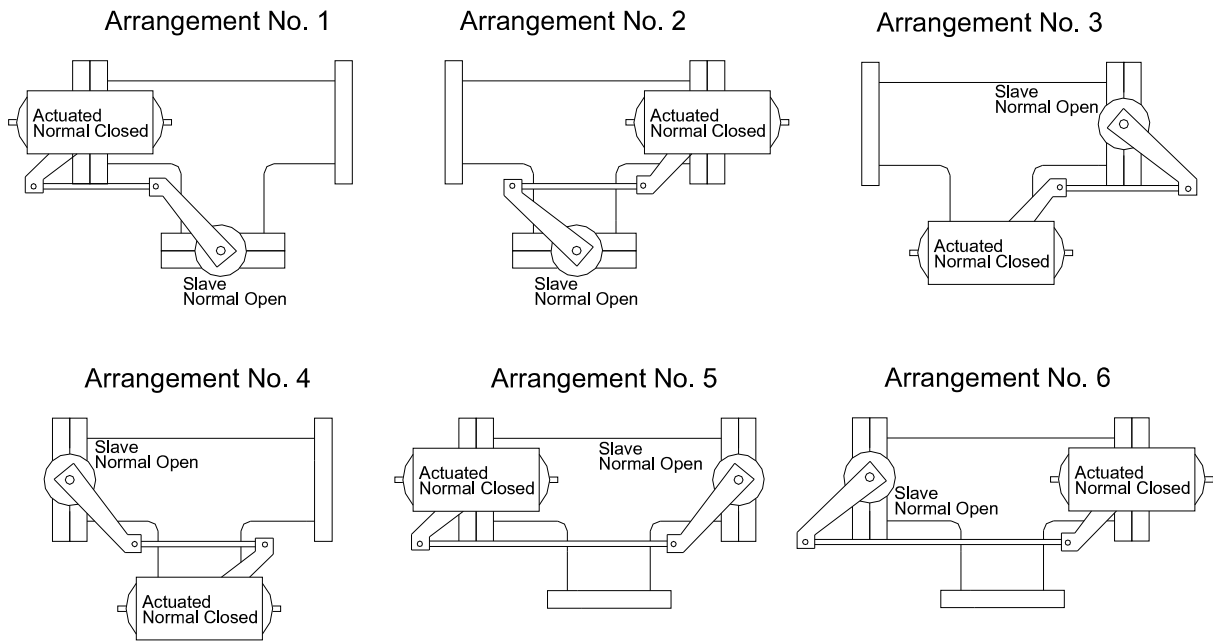
Effective January 1, 2024

# 3- WAY BUTTERFLY LINKAGE KITS

High Performance BFV - POA  
Ball Valves, Plug Valves, & Gate Valves - POA

2" thru 6"	8" thru 12"	14" thru 18"	20" thru 36"
\$450.00	\$585.00	\$770.00	POA

*Chain Drive Design with Guard  
or  
Linkage Arm Design*



## THE ECONOMICAL ALTERNATIVE TO EXPENSIVE BALL VALVES

**NOTE:**

When ordering 3-ways, valve locations and actuator location must be defined.

When ordering, specify Chain or Linkage Arm Design.

See example drawing on page 15

Effective January 1, 2024



# ACCESSORIES

<b>NON-NAMUR LIMIT SWITCH MOUNTING KITS*</b>	<b>Price</b>
Mounting to Actuator	\$98.00
Lever Operated and Gear Box Mountings	POA

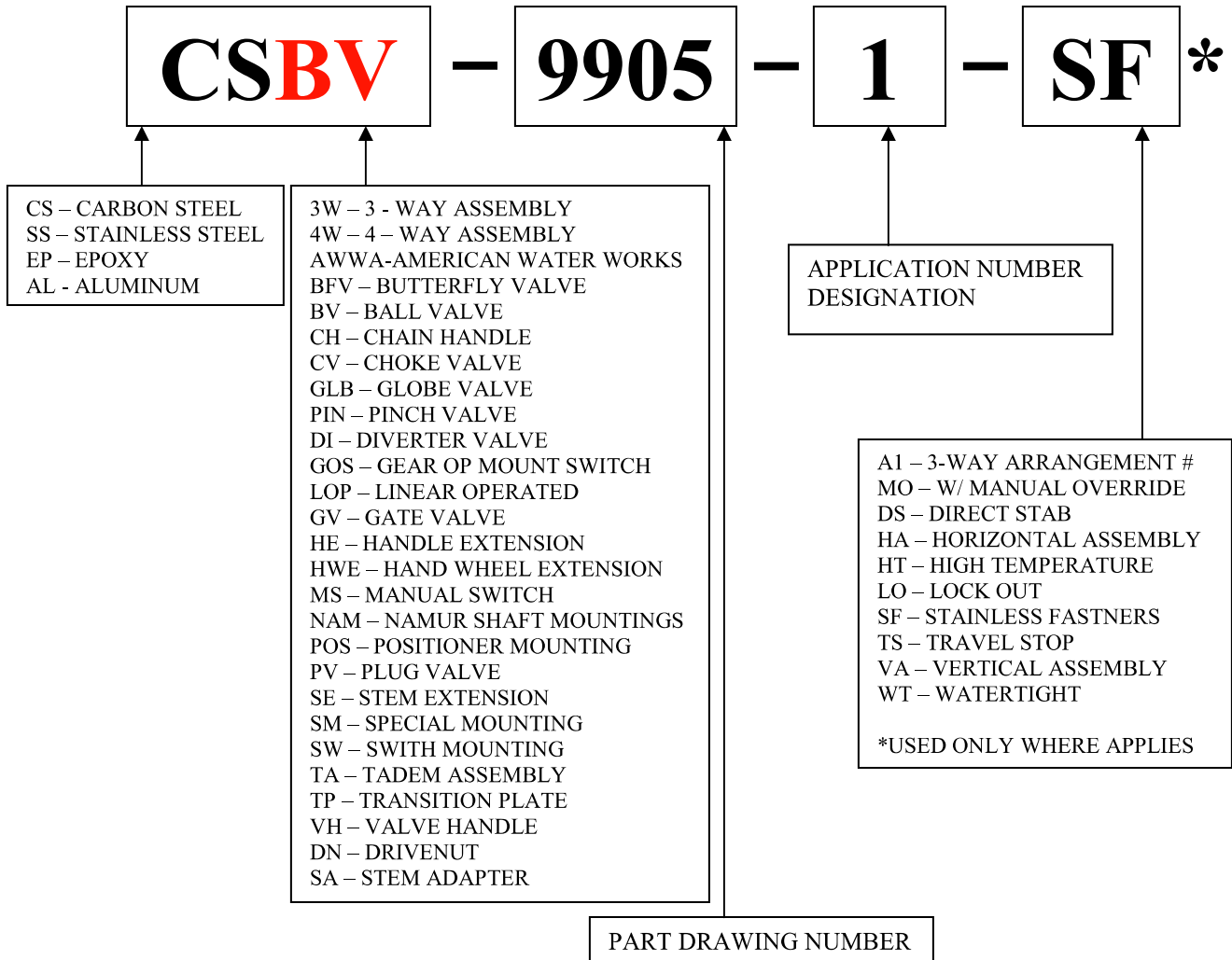
<b>NON- NAMUR POSITIONER MOUNTING KITS*</b>	<b>Price</b>
Accord, Bailey, Moore, PMV	\$98.00

<b>STAINLESS STEEL NAMUR BRACKET ONLY MOUNTING KITS*</b>	<b>Price</b>
#1 Namur 80mm x 30mm mounting bolt hole pattern x 20mm pinion height	\$52.00**
#2 Namur 130mm x 30mm mounting bolt hole pattern x 30mm pinion height	\$55.00**
Special 80mm x 30mm mounting bolt hole pattern x 30mm pinion height	\$59.00**

*\*Customer must supply application description when ordering accessory mounts.*

*\*\*Special quantity discounts available. Call for quoting.*

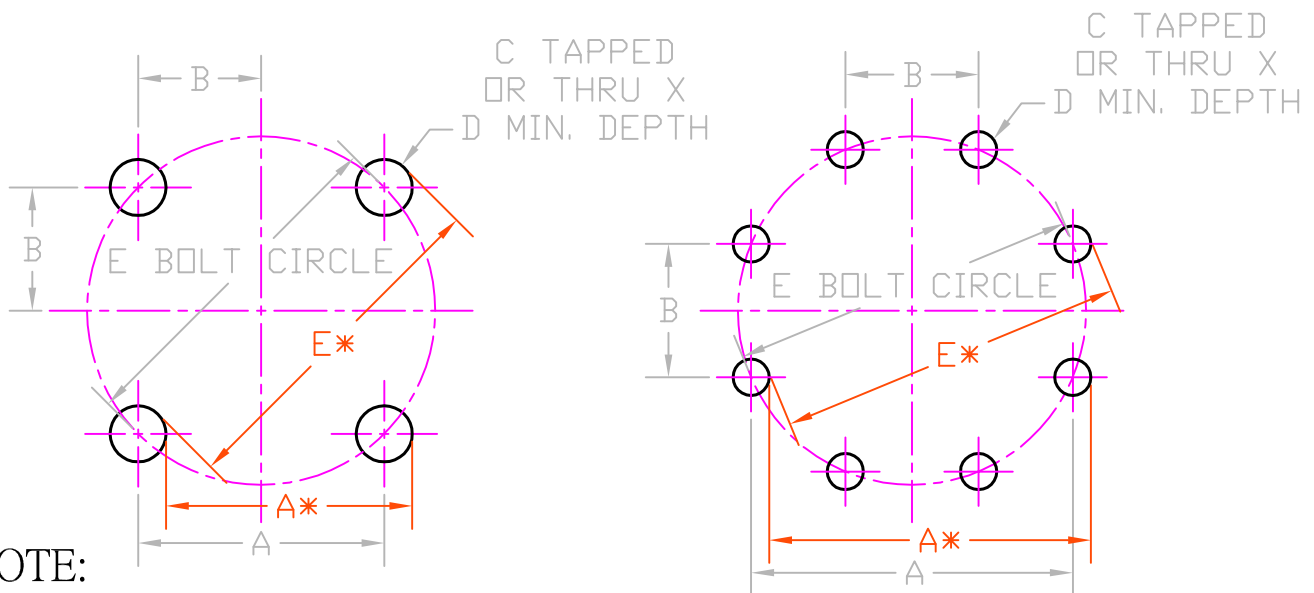
# FOR REFERENCE ONLY



When reordering your Nitz Valve Hardware mounting kits please take note of our part number assignments. The part number will be included with the shipment of the mounting kits and should be kept record of for your reordering needs. Numbering system is subject to be revised to provide additional designations for mounting kits.

# ISO MOUNTING PATTERNS

ISO TYPE	DIMENSIONS					
	A	B	C	D MIN.	E DIA.	# HOLES
F03	1.002	.501	10-24 / M5	.35	1.414	4
F04	1.170	.585	10-24 / M5	.35	1.656	4
F05	1.392	.696	1/4" / M6	.35	1.97	4
F07	1.948	.974	5/16" / M8	.47	2.756	4
F10	2.840	1.420	3/8" / M10	.59	4.02	4
F12	3.480	1.740	1/2" / M12	.71	4.92	4
F14	3.898	1.949	5/8" / M16	.94	5.51	4
F16	4.593	2.296	3/4" / M20	1.18	6.50	4
F25	9.239	3.827	5/8" / M16	.94	10.0	8
F30	10.837	4.489	3/4" / M20	1.18	11.73	8
F35	12.944	5.361	VARIES	VARIES	14.01	8
F40	14.764	6.115	VARIES	VARIES	15.98	8
F48	-	-	VARIES	VARIES	19.01	12
F60	-	-	VARIES	VARIES	23.74	20



**\*NOTE:**

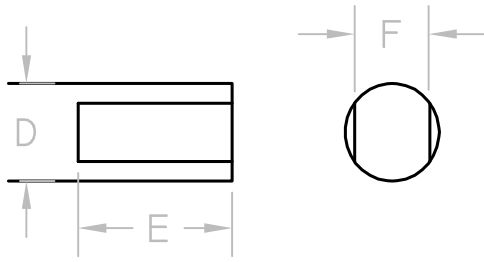
"E" & "A" ARE MOST EASILY MEASURED FROM THE EDGE OF ONE HOLE TO THE OPPOSITE EDGE ACROSS CENTERLINE AS SHOWN IN THE DRAWING ABOVE.

		<b>ISO5211 STANDARD BOLT MOUNTING PATTERN DIMENSIONS</b>	
<small>THIS DOCUMENT AND THE DATA DISCLOSED HEREIN OR HEREWITH IS NOT TO BE REPRODUCED, USED, OR DISCLOSED IN WHOLE OR IN PART WITHOUT THE WRITTEN CONSENT OF NITZ VALVE HARDWARE, INC.</small>	<small>DRAWN BY:</small> J.LEPPEK	<small>PART NO.</small> -	<small>REV</small> -
<small>APPROVED BY:</small> <i>J. Leppek</i>	<small>SCALE</small> 1:1	<small>SHEET</small> 1 OF 1	

# SHAFT STYLE SHEET ONE - BUTTERFLY VALVES

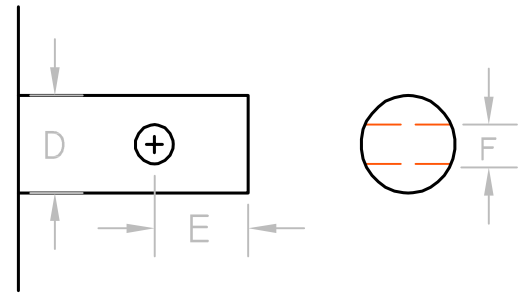
USE CALIPERS AND GIVE DIMENSIONS TO THE THIRD DECIMAL WHENEVER POSSIBLE

## SHAFT STYLE 1



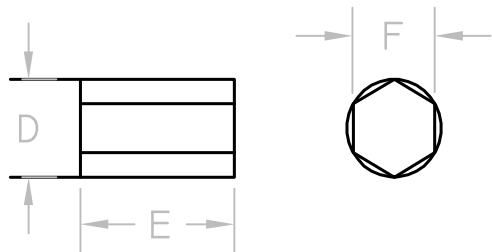
DOUBLE DEE SHAFT

## SHAFT STYLE 2



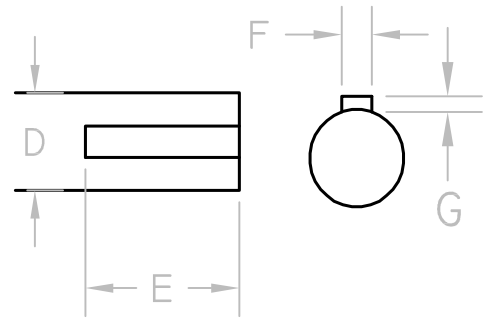
PINNED SHAFT

## SHAFT STYLE 3



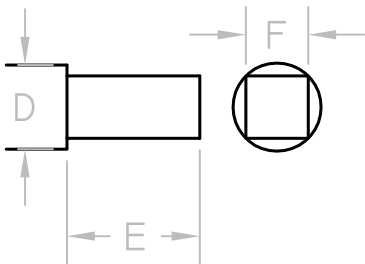
HEX SHAFT

## SHAFT STYLE 4



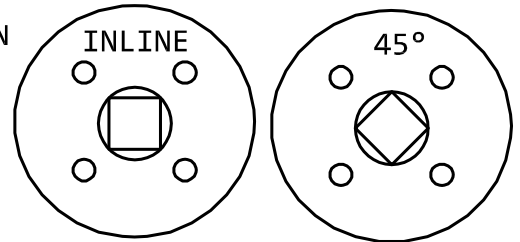
KEYED SHAFT

## SHAFT STYLE 5



SQUARE

SQUARE ORIENTATION  
WITH VALVE CLOSED  
(CIRCLE ONE)



# NVH

Nitz Valve Hardware, Inc.  
8610 Unionville Road  
Sebewaing, MI 48759  
t: (989) 883-9500  
f: (989) 883-2772

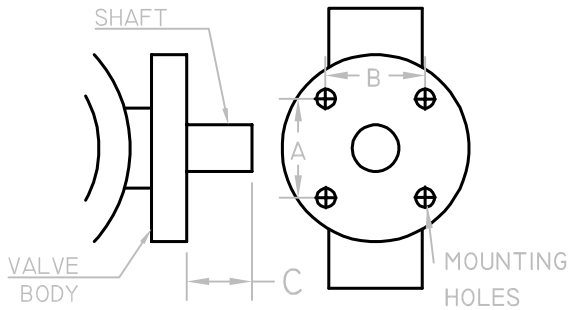
SHAFT STYLE: \_\_\_\_\_

DIM D: \_\_\_\_\_ DIM F: \_\_\_\_\_

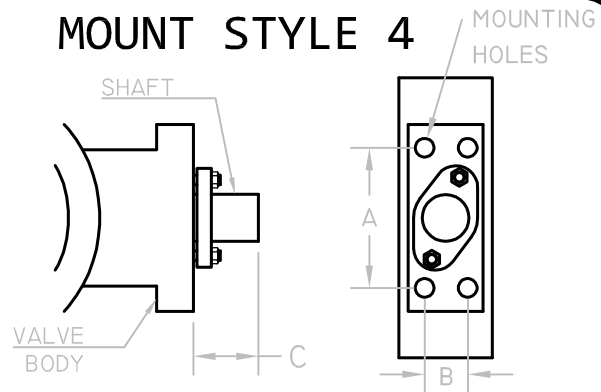
DIM E: \_\_\_\_\_ DIM G: \_\_\_\_\_

**MOUNT STYLE SHEET TWO - USE SHEET ONE FOR STEM**  
 USE CALIPERS AND GIVE DIMENSIONS TO THE THIRD DECIMAL WHENEVER POSSIBLE  
 SEE PAGE 10 IN OUR PRICEBOOK FOR CORRECT BOLT PATTERN MEASURING METHOD

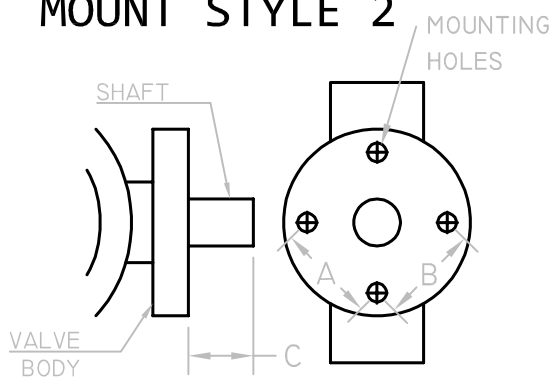
**MOUNT STYLE 1**



**MOUNT STYLE 4**



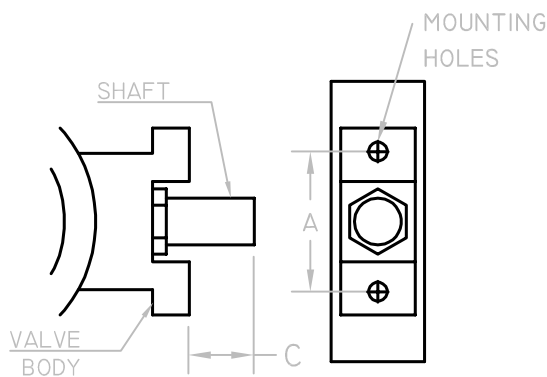
**MOUNT STYLE 2**



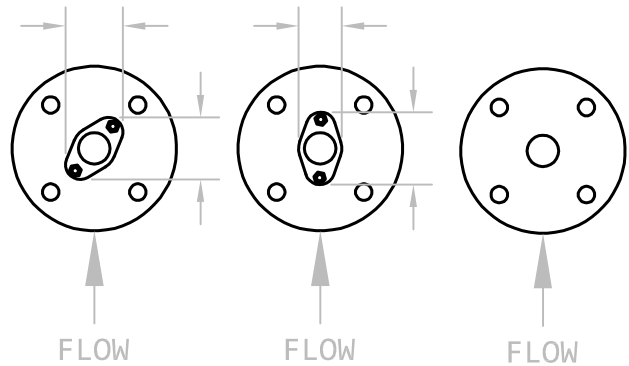
**MOUNT STYLE 5**

SKETCH YOUR MOUNT STYLE  
 USING MOUNT STYLE EXAMPLES.

**MOUNT STYLE 3**



CIRCLE AND DIMENSION  
 OR DRAW IN PACKING FOLLOWER



Nitz Valve Hardware, Inc.  
 8610 Unionville Road  
 Sebewaing, MI 48759  
 t: (989) 883-9500  
 f: (989) 883-2772

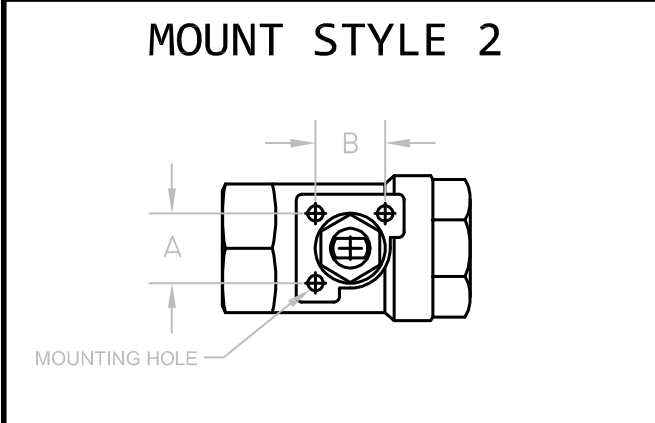
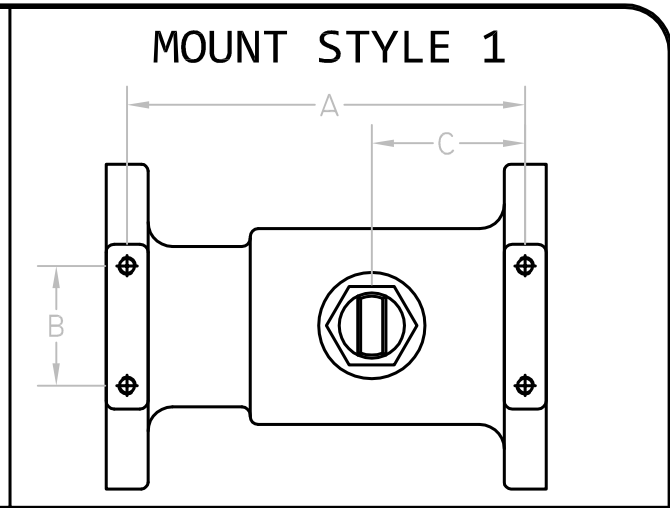
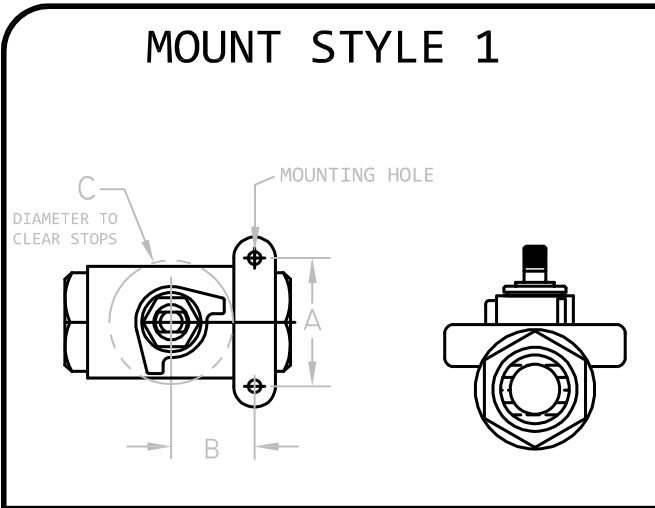
**MOUNTING STYLE:** \_\_\_\_\_

**DIM A:** \_\_\_\_\_ **DIM B:** \_\_\_\_\_ **DIM C:** \_\_\_\_\_

**MOUNTING HOLES- DIA  $\phi$ :**  **THROUGH**  
 Ex: 0.437"

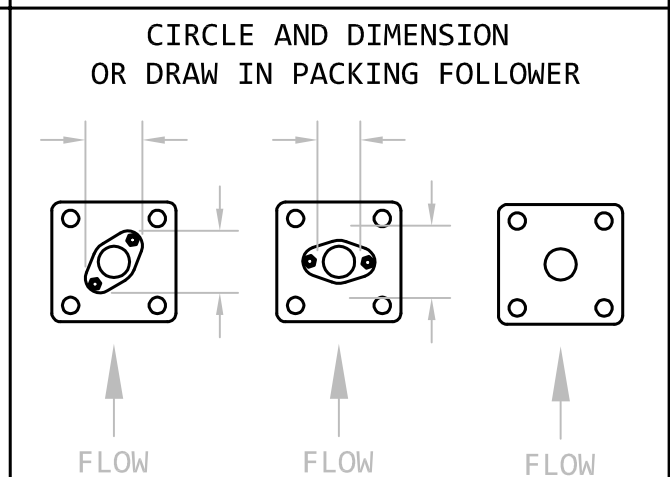
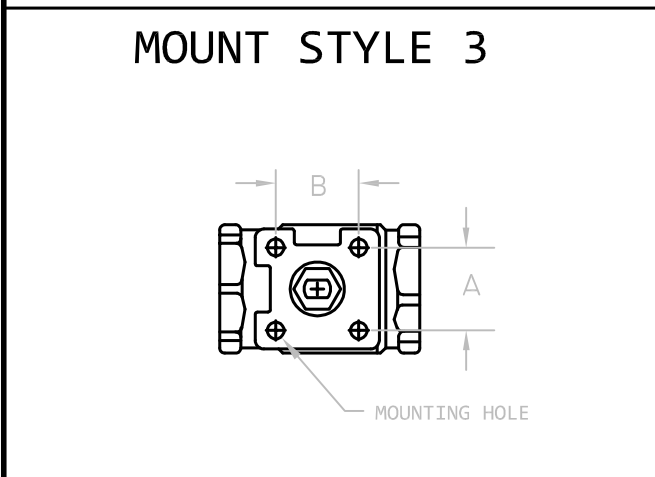
**THREAD SPEC:**  **TAPPED**  
 Ex:  $\frac{1}{2}$ "-13

MOUNT STYLE SHEET THREE - USE SHEET ONE FOR STEM  
 USE CALIPERS AND GIVE DIMENSIONS TO THE THIRD DECIMAL WHENEVER POSSIBLE  
 SEE PAGE 10 IN OUR PRICEBOOK FOR CORRECT BOLT PATTERN MEASURING METHOD



**MOUNT STYLE 5**

SKETCH YOUR MOUNT STYLE  
 USING MOUNT STYLE EXAMPLES.



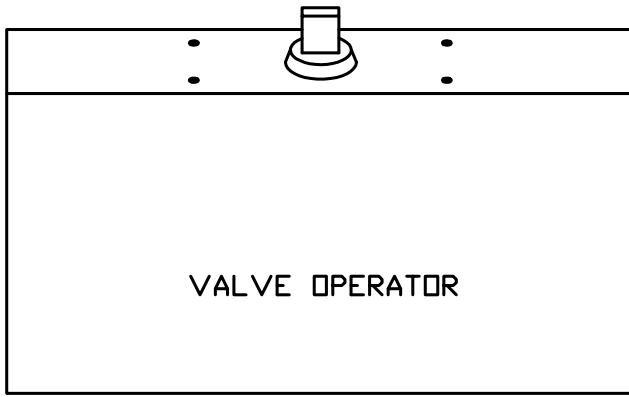
**NVH**  
 Nitz Valve Hardware, Inc.  
 8610 Unionville Road  
 Sebawaing, MI 48759  
 t: (989) 883-9500  
 f: (989) 883-2772

**MOUNTING STYLE:** \_\_\_\_\_

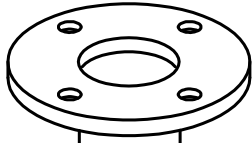
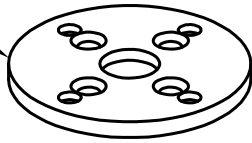
**DIM A:** \_\_\_\_\_ **DIM B:** \_\_\_\_\_ **DIM C:** \_\_\_\_\_

**MOUNTING HOLES - DIA  $\phi$ :**  **THROUGH**  
 Ex: 0.437"

**THREAD SPEC:**  **TAPPED**  
 Ex:  $\frac{1}{2}$ " -13

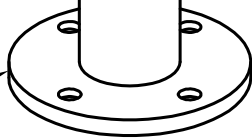


TRANSITION PLATE  
WHEN REQUIRED

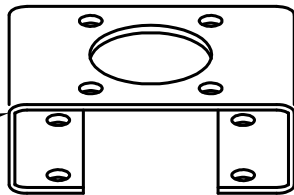


NOTE:  
TOP OF STEM EXTENSIONS WILL NORMALLY  
DUPLICATE THE VALVE MOUNTING PAD.  
A BRACKET WILL BE REQUIRED UNDER  
THE EXTENSION FOR PACKING GLAND  
OR WHEN OTHER CLEARANCE ISSUES APPLY.  
A TRANSITION PLATE WILL BE REQUIRED  
ON THE EXTENSION WHEN PIPE O.D.  
EXCEEDS THE BOLT PATTERN ON  
EITHER THE TOP, BOTTOM, OR BOTH.  
THRUST BEARINGS ARE RECOMMENDED  
FOR HEAVY OR LONG INNER DRIVES.  
ACTUATOR SHOWN FOR REFERENCE ONLY.

PLATE TO  
MOUNT TO  
VALVE



ADAPTER BRACKET  
WHEN REQUIRED



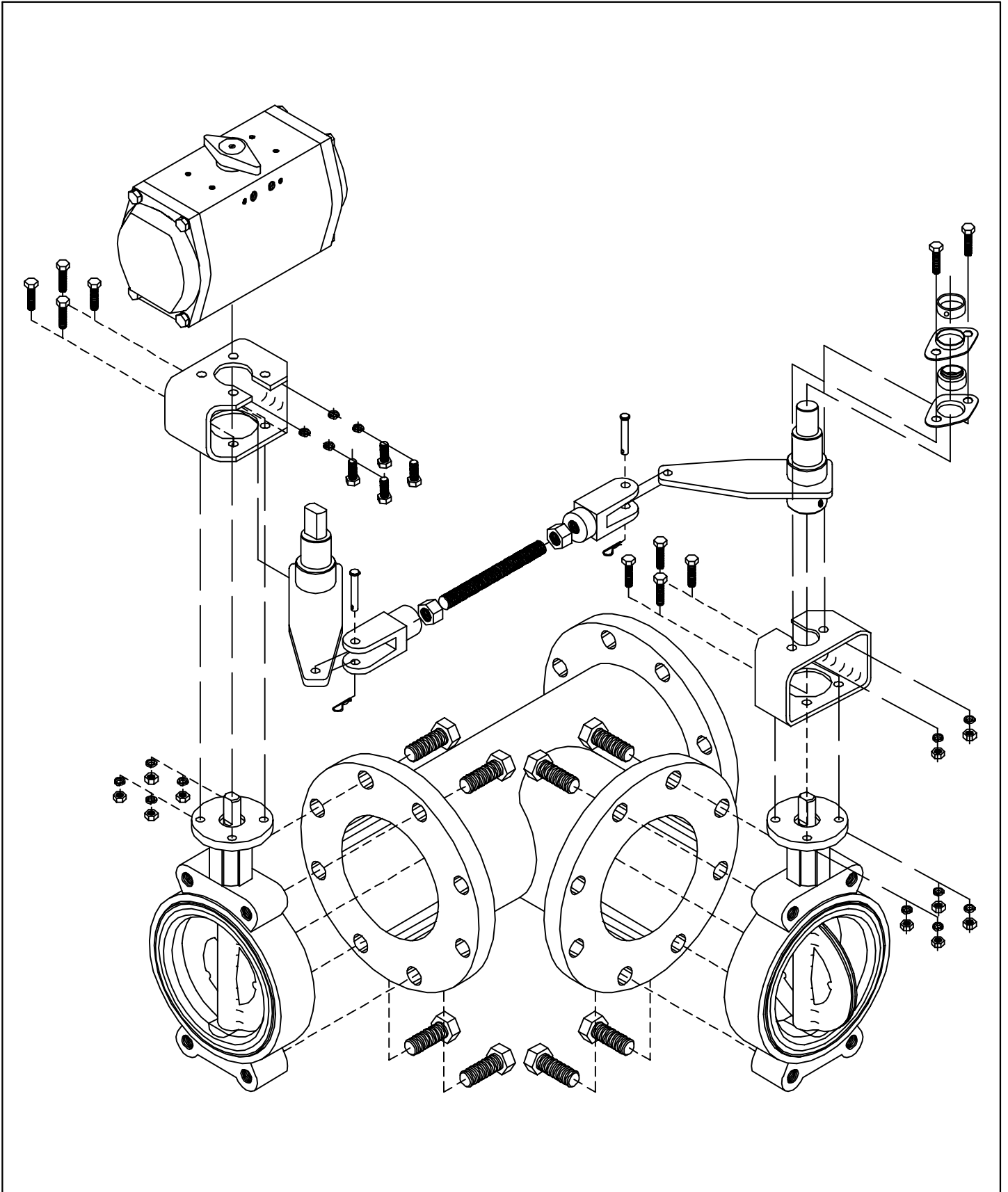
INNER  
DRIVE  
SHAFT

STEM ADAPTER



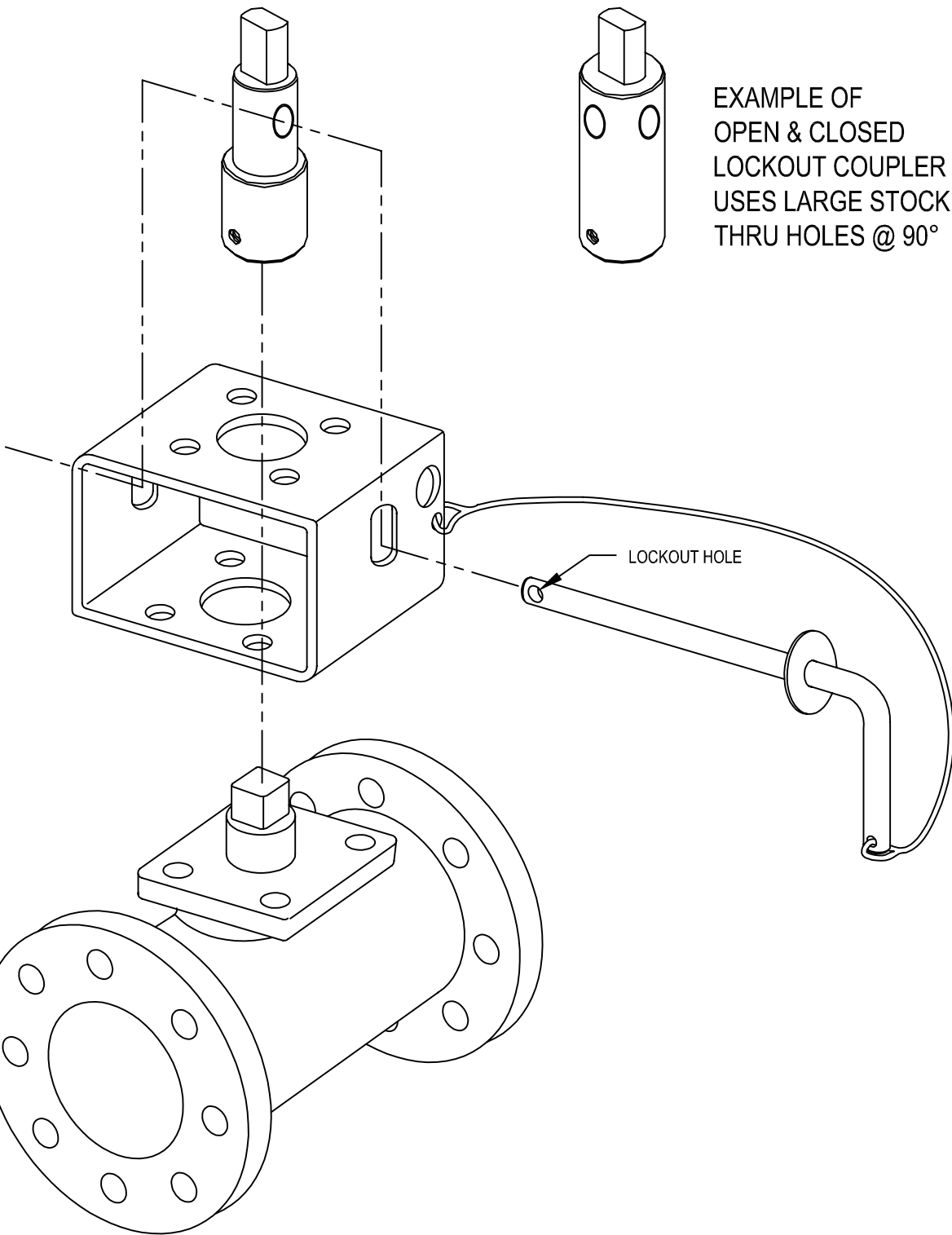
THRUST BEARING  
WHEN REQUIRED

REV DESCRIPTION DATE APPROVED	<h1 style="margin: 0;">NVH Nitz Valve Hardware Inc.</h1>		<h2 style="margin: 0;">STEM EXTENSION MOUNTING LINKAGE STYLES</h2>		PART NO. -	REV -	
	THIS DOCUMENT AND THE DATA DISCLOSED HEREIN OR HEREWITH IS NOT TO BE REPRODUCED, USED, OR DISCLOSED IN WHOLE OR IN PART WITHOUT THE WRITTEN CONSENT OF NITZ VALVE HARDWARE, INC.		DRAWN BY: J. LEPPEK	APPROVED BY: <i>J. Leppek</i>		SCALE 1:1	SHEET 1 OF 1



11 10 9 8 7 6 5 4 3 2 1	REV	<b>NVH</b> Nitz Valve Hardware Inc.	<b>STEM EXTENSION MOUNTING LINKAGE STYLES</b>			REV	
	THIS DOCUMENT AND THE DATA DISCLOSED HEREIN OR HERewith IS NOT TO BE REPRODUCED, USED, OR DISCLOSED IN WHOLE OR IN PART WITHOUT THE WRITTEN CONSENT OF NITZ VALVE HARDWARE, INC.		DRAWN BY:	J.LEPPEK	PART NO.	-	-
	APPROVED BY:		<i>J. Leppek</i>	SCALE	1:1	SHEET	1 OF 1

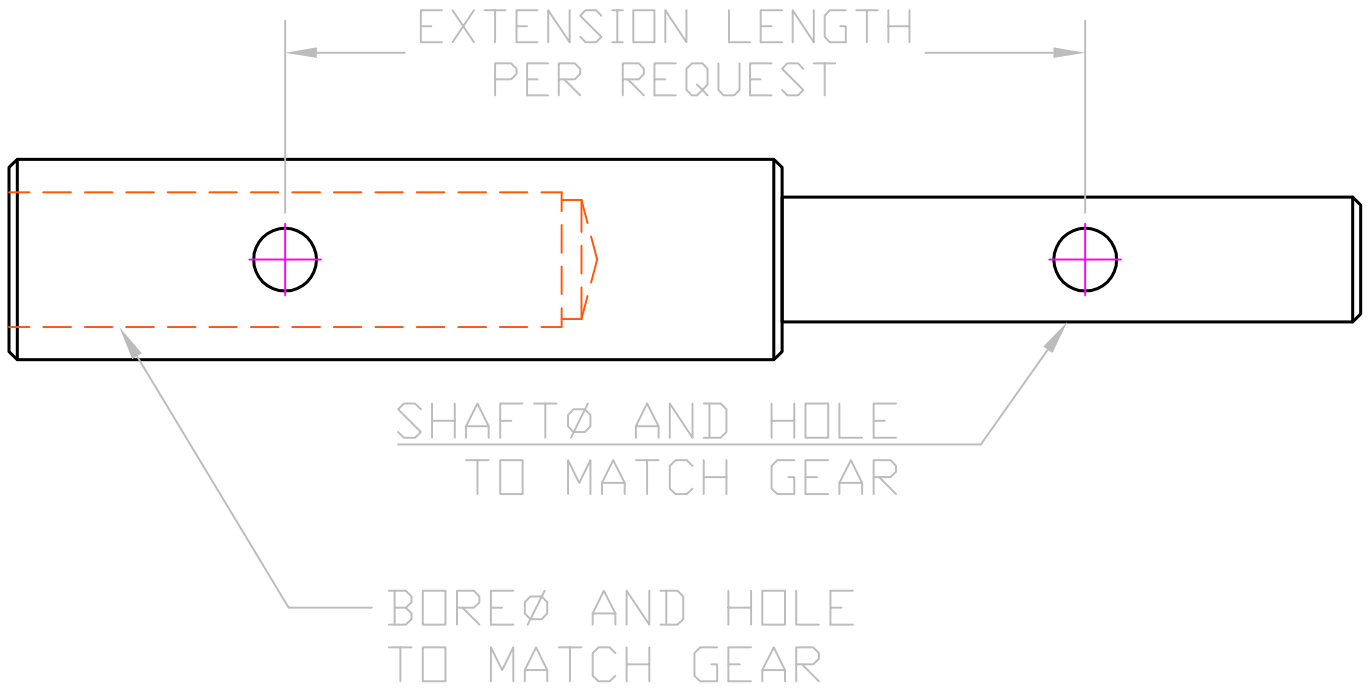




EXAMPLE OF  
OPEN & CLOSED  
LOCKOUT COUPLER  
USES LARGE STOCK  
THRU HOLES @ 90°

LOCKOUT HOLE

	<b>NVH Nitz Valve Hardware Inc.</b>		<b>STEM EXTENSION MOUNTING LINKAGE STYLES</b>		REV -
	THIS DOCUMENT AND THE DATA DISCLOSED HEREIN OR HERewith IS NOT TO BE REPRODUCED, USED, OR DISCLOSED IN WHOLE OR IN PART WITHOUT THE WRITTEN CONSENT OF NITZ VALVE HARDWARE, INC.		DRAWN BY: J.LEPPEK APPROVED BY: <i>J. Leppek</i>	PART NO. - SCALE 1:1	SHEET 1 OF 1



AVAILABLE IN CARBON AND STAINLESS STEELS  
 CALL FOR AVAILABLE LENGTHS  
 1 - SPRING ROLL PIN INCLUDED

		<b>GEARBOX HAND WHEEL EXTENSION                  EXAMPLE DRAWING</b>		REV -
THIS DOCUMENT AND THE DATA DISCLOSED HEREIN OR HEREWITH IS NOT TO BE REPRODUCED, USED, OR DISCLOSED IN WHOLE OR IN PART WITHOUT THE WRITTEN CONSENT OF NITZ VALVE HARDWARE, INC.		DRAWN BY: <b>J. LEPPEK</b>	PART NO. <b>GBHWE</b>	
		APPROVED BY: <i>J. Leppek</i>	SCALE 1:1	SHEET 1 OF 1



# Fraction Decimal Metric Measurement Conversion Chart

Fraction	Decimal	mm
1/64"	0.015625	0.3969
1/32"	0.031250	0.7938
	0.039370	<b>1mm</b>
3/64"	0.046875	1.1906
1/16"	0.062500	1.5875
5/64"	0.078125	1.9844
	0.078740	<b>2mm</b>
3/32"	0.093750	2.3813
7/64"	0.109375	2.7781
	0.118110	<b>3mm</b>
1/8"	0.125000	3.1750
9/64"	0.140625	3.5719
5/32"	0.156250	3.9688
	0.157480	<b>4mm</b>
11/64"	0.171875	4.3656
3/16"	0.187500	4.7625
	0.196850	<b>5mm</b>
13/64"	0.203125	5.1594
7/32"	0.218750	5.5563
15/64"	0.234375	5.9531
	0.236220	<b>6mm</b>
1/4"	0.250000	6.3500
17/64"	0.265625	6.7469
	0.275591	<b>7mm</b>
9/32"	0.281250	7.1438
19/64"	0.296875	7.5406
5/16"	0.312500	7.9375
	0.314961	<b>8mm</b>
21/64"	0.328125	8.3344
11/32"	0.343750	8.7313
	0.354331	<b>9mm</b>
23/64"	0.359375	9.1281
3/8"	0.375000	9.5250
25/64"	0.390625	9.9219
	0.393701	<b>10mm</b>
13/32"	0.406250	10.3188
27/64"	0.421875	10.7156
	0.433071	<b>11mm</b>
7/16"	0.437500	11.1125
29/64"	0.453125	11.5094
15/32"	0.468750	11.9063
	0.472441	<b>12mm</b>
31/64"	0.484375	12.3031
1/2"	0.500000	12.7000
	0.511811	<b>13mm</b>

Fraction	Decimal	mm
33/64"	0.515625	13.0969
17/32"	0.531250	13.4938
35/64"	0.546875	13.8906
	0.551181	<b>14mm</b>
9/16"	0.562500	14.2875
37/64"	0.578125	14.6844
	0.590551	<b>15mm</b>
19/32"	0.593750	15.0813
39/64"	0.609375	15.4781
5/8"	0.625000	15.8750
	0.629921	<b>16mm</b>
41/64"	0.640625	16.2719
21/32"	0.656250	16.6688
	0.669291	<b>17mm</b>
43/64"	0.671875	17.0656
11/16"	0.687500	17.4625
45/64"	0.703125	17.8594
	0.708661	<b>18mm</b>
23/32"	0.718750	18.2563
47/64"	0.734375	18.6531
	0.748031	<b>19mm</b>
3/4"	0.750000	19.0500
49/64"	0.765625	19.4469
25/32"	0.781250	19.8438
	0.787402	<b>20mm</b>
51/64"	0.796875	20.2406
13/16"	0.812500	20.6375
	0.826772	<b>21mm</b>
53/64"	0.828125	21.0344
27/32"	0.843750	21.4313
55/64"	0.859375	21.8281
	0.866142	<b>22mm</b>
7/8"	0.875000	22.2250
57/64"	0.890625	22.6219
	0.905512	<b>23mm</b>
29/32"	0.906250	23.0188
59/64"	0.921875	23.4156
15/16"	0.937500	23.8125
	0.944882	<b>24mm</b>
61/64"	0.953125	24.2094
31/32"	0.968750	24.6063
	0.984252	<b>25mm</b>
63/64"	0.984375	25.0031
1"	1.000000	25.4000
65/64"	1.015625	25.7969